

PRODUCT DATA SHEET

Portable Ultrasonic Flowmeter

UFP-20

TOKYO
KEIKI

TOKYO KEIKI INC.

1. Outline

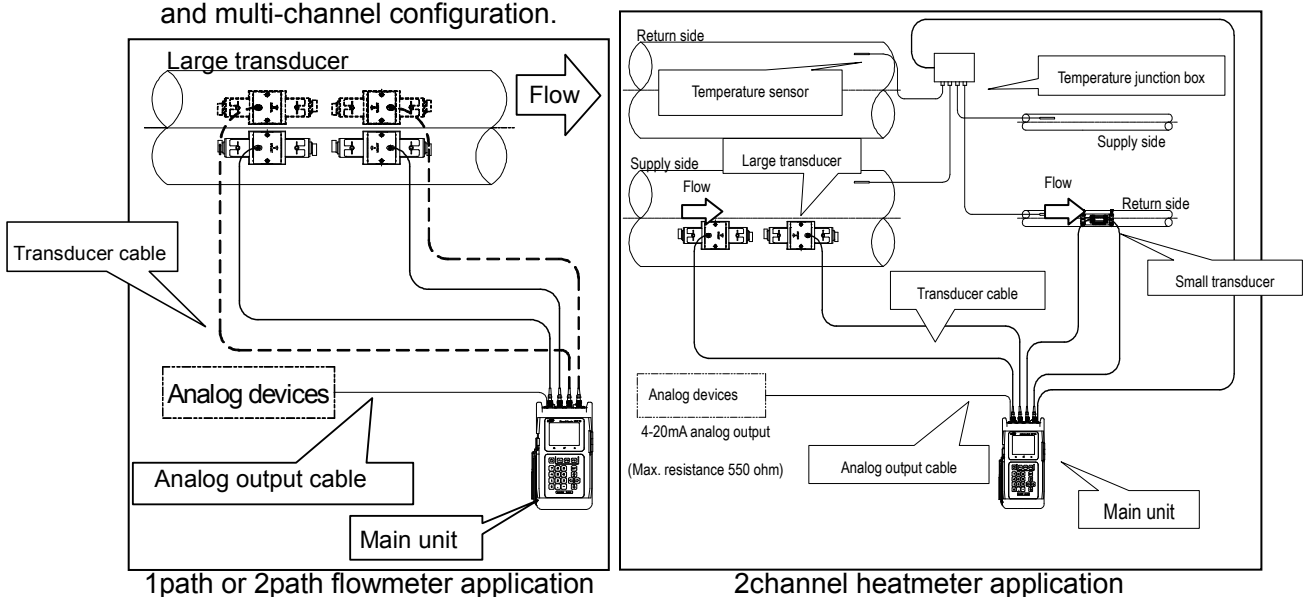
- 1) The time it takes to propagate ultrasonic pulses in a liquid varies according to flow velocity. This principle is utilized by ultrasonic flowmeters which provide signal output proportional to the flow rate.
The UFP-20 portable flowmeter can measure flow by simply positioning the transducers on the outside of pipes.
- 2) The UFP-20 flowmeter supersedes our model UFP-10 or UFP-1000 and offers a more compact design with additional functions such as pipe thickness measurement and liquid ultrasonic velocity measurement.



The UFP-20 is a high performance flowmeter which is simple to use. The UFP-20 incorporates an onboard DSP which carries out such functions as flow calculation and data processing in metric or inch units. The UFP-20 can be applied to pipe diameters from 13 ~ 5000 mm and is ideal for use with liquids such as clean water and wastewater. Three power sources (Ni-MH battery, AC, DC supply) allow flexibility to match conditions of the site and optional equipment such as optional transducers, extension cable and temperature input for heatmeter function enhance the range of applications.


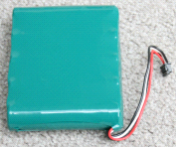




2. Configuration

Below model is a sample for typical flowmeter and heatmeter application with single and multi-channel configuration.



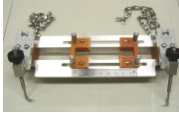



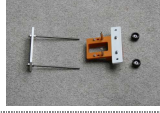



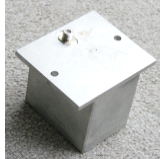
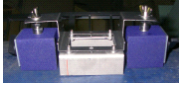


UFP-20 Portable Ultrasonic Flowmeter

1. Minimum Configuration

No	Name	Q'ty	Details	Photo
1.	Main Unit	1pc	Ultrasonic Flowmeter Main Unit	
2.	Battery	1pc	Ni-MH battery	
3.	AC adaptor	1pc	AC adaptor for main unit	
4.	Couplant	1pc	Silicone grease for acoustic couplant	
5.	Transducer Kit	1set	Transducers (1pair) Mounting Fixture (1pair) Transducer PE sheath Cable (1pair)	See next page
6.	Protection cover	1pc	Protection cover for Main unit	
7.	Standard Carrying case	1pc	Carrying case for standard items	




[Selectable Transducers]

No	Name	Q'ty	Details	Photo
8.	Transducer cable	1pair	Connection cable for transducer and main unit (Up to 65C degree)	
9-1.	Small Transducers and Mounting Fixture	1set (1pair)	Ultrasonic transmitter-receiver sensors (to be used in combination with cables) Metal fixtures used to attach transducers onto pipe. Upper Photo; Transducer Below Photo; Mounting Fixture	 
9-2.	Medium Transducers and Mounting Fixture	1set (1pair)	Ultrasonic transmitter-receiver sensors (to be used in combination with cables) Metal fixtures used to attach transducers onto pipe. Upper photo : transducer 2nd photo : mounting fixture 1 3rd photo : mounting fixture 2 4th photo : Z-path method adaptor (Applicable diameter DN20mm~40mm) Below photo : Easy-Setup-Kit (Applicable diameter; up to DN200mm) (Temperature range; up to 50 degree C)	    





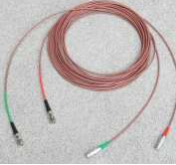

No	Name	Q'ty	Details	Photo
9-3.	Large Transducers and Mounting Fixture	1set (1pair)	<p>Ultrasonic transmitter-receiver sensors (to be used in combination with cables)</p> <p>Metal fixtures used to attach transducers onto pipe.</p> <p>Upper Photo; Transducer Mid Photo ; Mounting Fixture (Both Magnet & Wire type included) Below Photo; Carrying case</p>	   

As additional transducer for 2path or 2channel application, extra carrying case will include to Small Transducer kit or Medium size transducer kit.

[Temperature Kit] (Option)

No	Name	Q'ty	Details	Photo
10.	Temperature Sensor	1pair	Temperature Sensor Pt-100 (Option)	
11.	Temperature Junction Box	1pc	Junction Box for connection of 4pcs temperature sensor (Option)	
12.	Metal Tape for Temp-Sensor	1pc	Metal tape for temperature sensor attachment.	

[Accessories] (Option)

No	Name	Q'ty	Details	Photo
13.	Analog Cable	1pc	Cable for analog output	
14.	Thickness meter Probe	1pc	Sensor Thickness & Acoustic velocity measurement	
15.	Test Piece	1pc	Calibration test piece for the above sensor	
16.	Carrying case for transducer	1pc	Carrying case for each Transducer Kit Note) 1 pair of Small or Medium transducer can be stored in standard Carrying case (item6). Large or 2 nd set of transducer requires this type of carrying case.	
17.	High-Temp Transducer cable	1pair	High-Temperature Connection cable for transducer and main unit (up to 120C degree)	
18.	Extension cables	1pc	50m of Extra connection cable between the transducers and main unit	

3. Specifications

3-1. Overall Specifications

Measurement	Applicable Fluid	Homogeneous and sonically conductive fluids (water, waste water, industrial water sea water, pure water, oil, ethylene glycol-water solution etc)
	Range	Converted to flow velocity: -30 m/s to +30 m/s
	Method	Ultrasonic pulse transit time difference method
Pipe & Flow Condition	Diameter	DN13mm ~ DN5000mm
	Material	Materials which allow stable transit of ultrasonic waves such as steel, SUS, castings, ductile casting, PVC, FRPM, etc. (Note: Applicable diameters may vary with material.)
	Turbidity	10000 mg/L or less
	Lining	None, tar epoxy, mortar, etc.
	Flow Condition	Fully developed and rotationally symmetrical flow profile required.

Transducer	Applicable diameter	Applicable Temperature
Small Transducer	DN 13 ~ 50mm	-20~120 °C
Medium Transducer	DN 65 ~ 500mm (DN 20mm ~ 50mm) (*1)	-20~120 °C
Large Transducer	DN 300 ~ 5000mm	-20~80 °C
Measurement Accuracy of reading	Velocity \geq 1m/s	Velocity < 1m/s
DN 13mm (*2) ~ 90mm (DN 20mm ~ 50mm) (*1)	± 2.0 % (± 2.0 % ~ 5.0 %) (*1)	± 0.02 m/s (± 0.02 m/s ~ ± 0.05 m/s)
DN 100mm ~ 250mm	± 1.5 %	± 0.015 m/s
DN 300mm ~ 5000mm	± 1.0 %	± 0.01 m/s
	(*2) Site calibration required.	
Calibrated accuracy of reading (Repeatability)	Velocity \geq 1m/s	Velocity < 1m/s
DN 13mm ~ 90mm	± 1.0 %	± 0.01 m/s
DN 100mm ~ 250mm	± 0.75 %	± 0.0075 m/s
DN 300mm ~ 5000mm	± 0.5 %	± 0.005 m/s
Note	Water proof performance	Protection Degree IP65 (IEC 60529)
	Cable max. length	157m
	Temperature (Pt100)	IEC 60751 / JIS-A-Class (3-wires) (The total accuracy for energy measurement is synthesized from each flow rate and temperature accuracy.) (*2)

(*1): Medium transducer is recommended for measurement of DN20mm ~ DN50mm which attenuates sonically like Zinc-coated-pipe.

The expected accuracy for above condition is $\pm 2.0 \sim 5.0\%$ of reading.

(*2): The accuracy on the main unit for temperature detector is $\pm(0.2^{\circ}\text{C}+0.1\%)$ or less.

3-2. Main unit overview

Power Supply	DC 10 ~ 30 V (AC adaptor applicable on AC 90 ~ 264 V 47 ~ 63 Hz)
Internal Battery	8 hours as Max. / Rapid charging 4 hours
Operating Temperature	-10 ~ +50°C (for Main unit)
Storage Temperature	-10 ~ +50°C
Operating Humidity	20 ~ 90 %RH (non-condensation)
Main unit construction	Protection Degree IP65 (IEC 60529) / NEMA3
Housing Material	Polycarbonate-ABS synthetic resin
Dimension	135 (W) x 250 (L) x 68 (H)
Mass	Approx. 1.4kg (including battery)
European Compliance (CE marking)	EMC Directive 2004/108/EC Harmonized Standard / EN61326-1:2006 -Separation into group / Group I -Division into classes / Class A -Location intended for use / In industrial locations [Condition] AC Adaptor is only used to recharge the battery. The length of sensor cable is 7m.

3-3. Display specifications

Display	Method	LCD (320 x 240 Dot Matrix) / high-intensity Backlight equipped		
	Content	<ul style="list-style-type: none"> Instantaneous flow rate, warnings, check mode and totalizing status. Instantaneous flow velocity value, warnings check mode and totalizing status. Forward/Backward flow totalized value, warnings, check mode and totalizing status. 		
	Digits	Flow rate	Max. 6 digits (including Sign section)	
		Flow velocity	Max. 6 digits Sign section ; 1 digit Integer section ; 2 digits Decimal fraction ; 3 digits	
		Flow Totalizing	Max. 8 digits	
Temp.		Max. 5 digits Sign section ; 1 digit Integer section ; 3 digits Decimal fraction ; 1 digit		
Unit	Flow rate units m ³ /s,m ³ /min,m ³ /h,m ³ /D,km ³ /s,km ³ /min,km ³ /h,km ³ /D,Mm ³ /D, L/s,L/min,L/h,L/D ft ³ /s,ft ³ /min,ft ³ /h,ft ³ /D,Mft ³ /D,bbbl/s,bbbl/min,bbbl/h,bbbl/D,Mbbbl/D gal/s,gal/min,gal/h,gal/D,Mgal/D,acf/s,acf/min,acf/h,acf/D,Macf/D kg/s,kg/min,kg/h,kg/D,t/s,t/min,t/h,t/D,kt/s,kt/min,kt/h,kt/D,Mt/D W,kW,MW,BTU/h,kBTU/h,MBTU/h Totalize units x1 m ³ ,x5 m ³ ,x10 m ³ ,x100 m ³ , x0.001 L,x0.01 L,x0.1 L,x1 L,x10 L,X100 L ft ³ ,kft ³ ,Mft ³ ,bbbl,kbbbl,Mbbbl,gal,kgal,Mgal,acf,kacf,Macf, x1 kg,x10 kg,x100 kg,x0.1 kg,x0.01 kg,x1 t,x10 t,X100 t J,kJ,MJ,BTU,kBTU,MBTU			
Updating cycle	Approx. 1sec			

3-4. Input / Output Specification

Logging Function	St'd/option	Standard
	Output	Approx. 165,000 points Date, Instantaneous flow rate, + Total, -Total, Flow velocity, Error code (Selectable) Internal logged data transferred through USB memory as CSV format
	Output format	CSV
Temperature Input	St'd/option	Option / Junction Box Required
	Input	4pcs of Pt100 (Max.) (For Energy measurement, they can be connected main unit through junction box.)
Analog Output	St'd/option	Standard
	Output	1 port; Instantaneous flow rate Energy, Mass (calculated by density setting), Calculated flow rate or energy (path1 + path2 or path1 - path2)
	Output format	4-20 mA Allowable load resistance 550 Ω Max.

3-5. Functions

Function	Installation Wizard	Installation Wizard for EASY interface
	Thickness meter	Thickness meter function included (Range; 1~100mm / Accuracy; +/-0.1mm or +/-1.5%R.D. which is larger)
	Sonic Velocity measurement	Sonic Velocity measurement function included (Range; 500~3000 m/s / Accuracy; +/-5 %)
	Multi-path measurement	2 path: - Flow meter main unit is equipped with connector for transducer cable as standard. - Transducer, fixture, extension cable for each path required. 2 channel: - Flow meter main unit is equipped with connector for transducer cable as standard. - Transducer, fixture, extension cable for each path required.
	Receiving echo-monitoring	Receiving echo-monitoring function included as standard
	Multi-Language available	Multi-Language available (English, French, German, Italian, Japanese, Portuguese, Russian, Spanish, Turkish)
	Metric / English	Metric / English (inch, gallon or barrel) units available
	Low flow cut	Cuts (zeros) flows when flow falls below prescribed instantaneous flow rate. Used in order to avoid output of flow values other than 0 when measurement value during still flow becomes disordered
	No Echo receiving warning	If measurement cannot be made when no echo is received continuously over the setting time (determined transition time), status is changed to - Display "R" on LCD. - Selected analog output type Selectable analog output transition status as follows. 0% (4mA), hold, 100% (20mA)
	Disturbance detection	Check whether processing values are measured properly or not and if determined to be disturbed conditions then measuring values are eliminated. Display "D" on the display
	Zero shift	Zero point can be independently compensated (shifted) for forward and backward flow rate.
	Span compensation	Slope of span line can be independently compensated for forward and backward flow rate.
	Self-diagnostics	Self-diagnostics runs at start-up.
	Moving Average time	Rapid flow rate changes would be smoother by this filter.
	Basic data display	Following internal data can be referenced. - Flow Unit and Flow Total Unit - Pipe Diameter, Thickness, Material and Material Sound Speed - Lining Thickness, Lining Material and Lining Material Sound Speed - Transducer Type, Sound-Path and Cable length - Fluid type, Fluid Sound Speed and Fluid Viscosity - Output Source, 4mA setting, 20mA setting and Alarm Output type - Zero Shift, Span Correction, Zero Cut and Volume Correction - Log Interval, Start & Stop time, Synchronizing Totalization select and Logged Items - Fluid sonic velocity

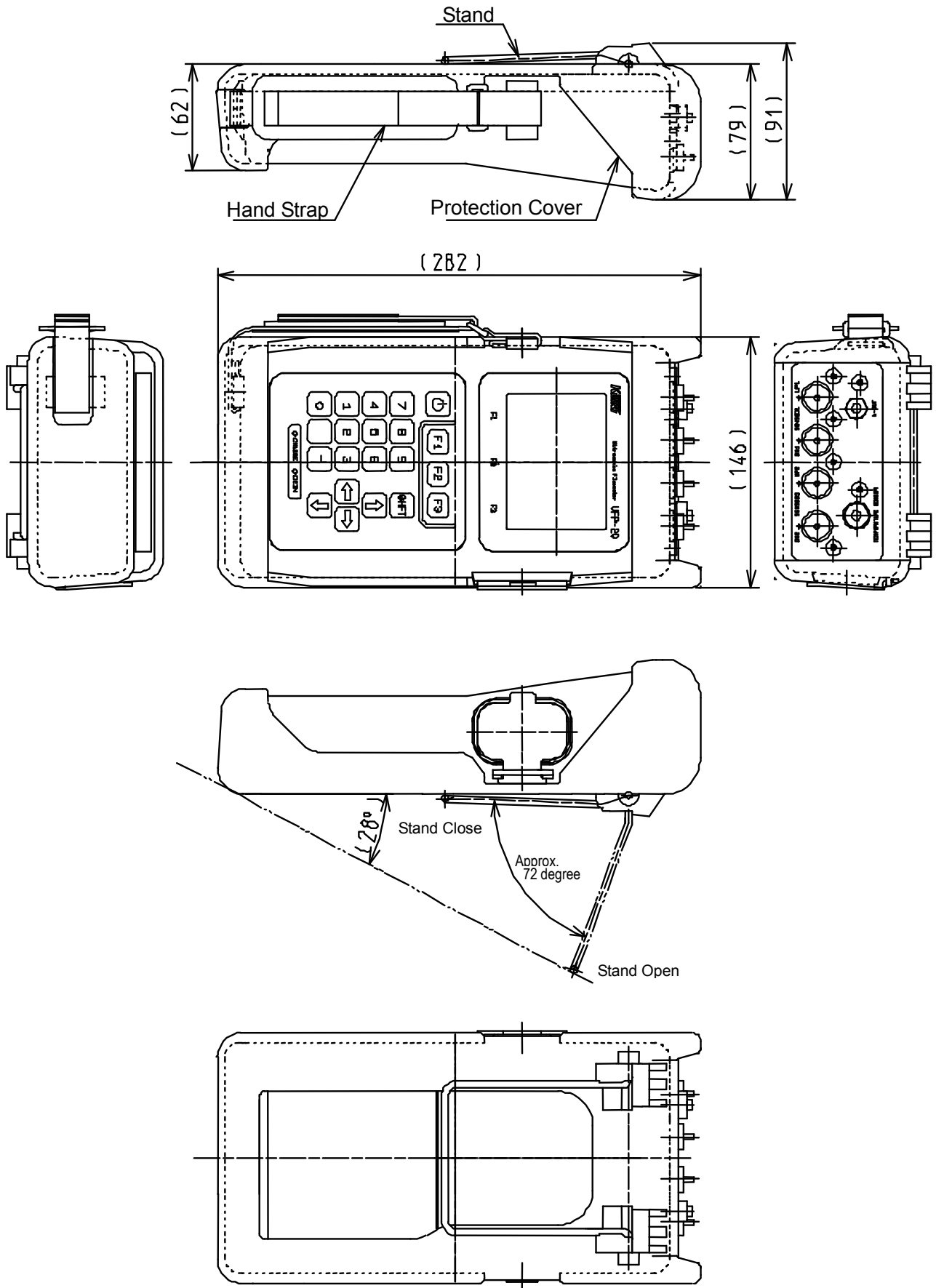
Function (Cont.)	Data Retention	Site conditions, Logged data and Date-Time are retained in memory with lithium battery even if power failure. Note: 1) Backup battery is non-recharge-able. 2) 5 year life at room temperature.
	Mass Indication	Mass flow rate is calculated by fixed density input.
	Temperature Compensation	Temperature input can be calibrated by Zero offset and Span correction in case of Heatmeter selected. Low cut function effects on the differential of both send and return side temperatures.

3-6. Accessories

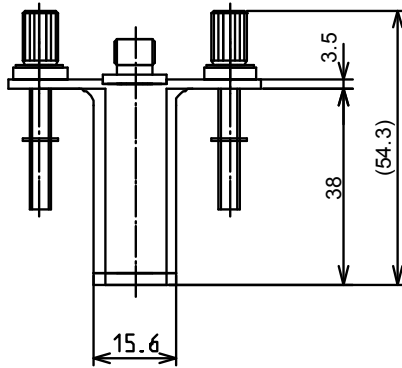
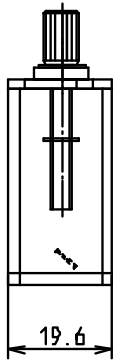
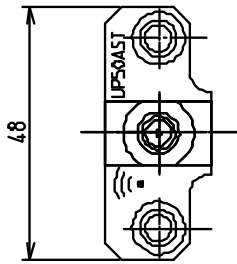
Thickness /Acoustic velocity measuring Probe	St'd/option	Option
	Construction	Protection Degree IP65 (IEC 60529) / NEMA3
	Operating Temperature	-10 ~ +50°C
	Storage Temperature	-10 ~ +50°C
	Cable Length	0.7m
Temperature Detector (RTD)	St'd/option	Option
	Grade	JIS Class A (3 wires)
	Operating Temperature	-20 ~ +120°C
	Storage Temperature	-20 ~ +120°C
	Cable Length	5m
Temperature Junction box	St'd/option	Option
	Construction	Protection Degree IP20 (IEC 60529)
	Material	ABS resin
	Operating Temperature	-10 ~ +50°C
	Storage Temperature	-10 ~ +50°C
	Cable Length	2m
	Connection port	4 ports

4. Dimensions

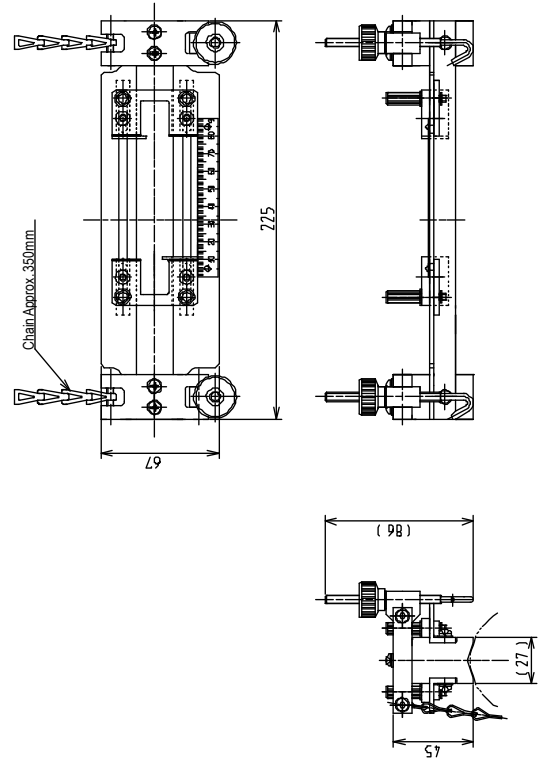
4-1. Main Unit (UFP-20)



4-2. Small Transducer Kit

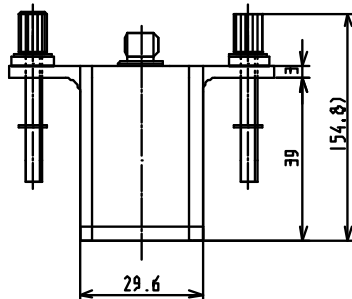
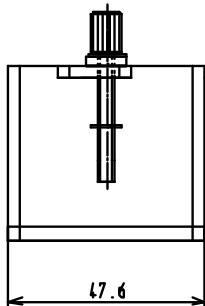
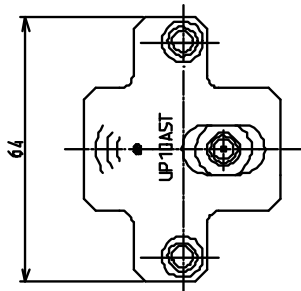


Small transducer

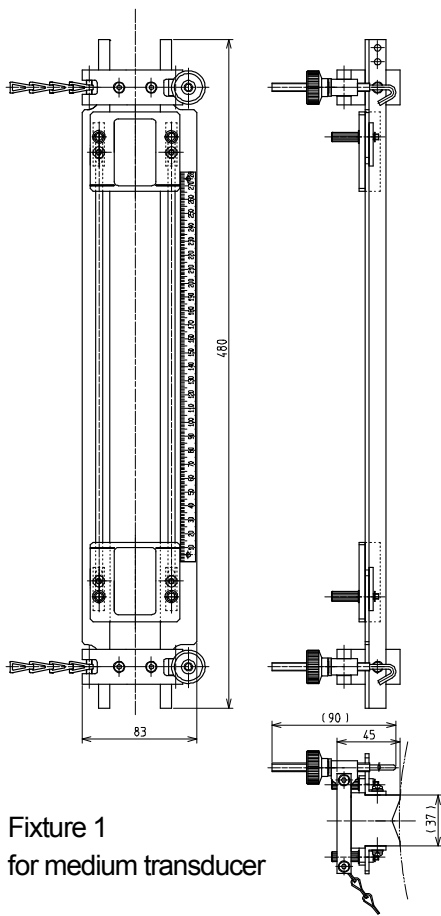


Fixture for small transducer

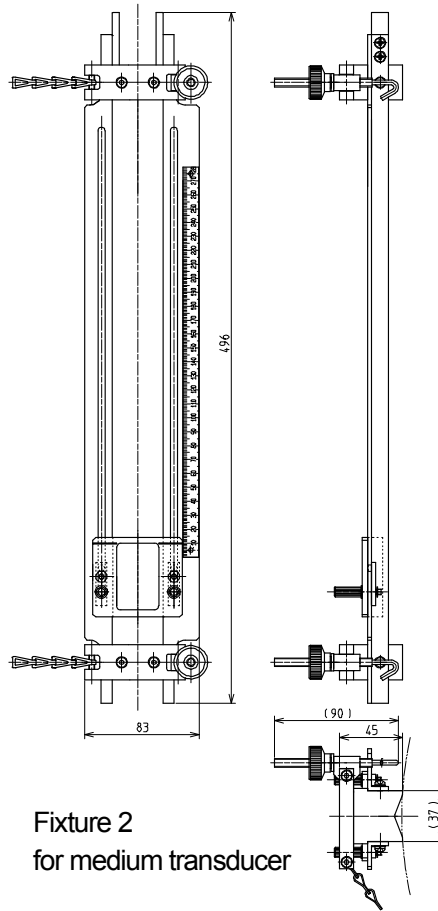
4-3. Medium Transducer Kit



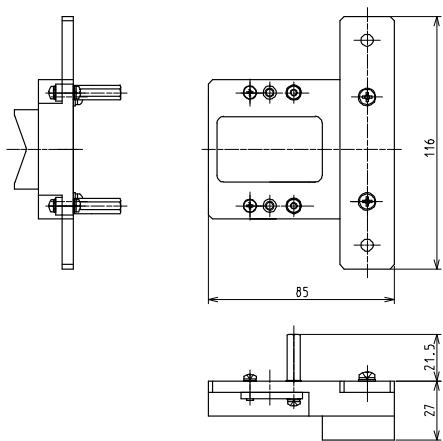
Medium transducer



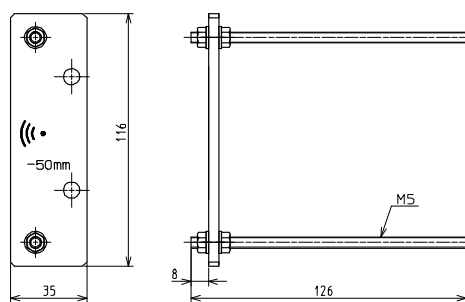
Fixture 1
for medium transducer



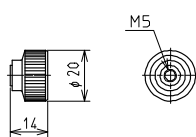
Fixture 2
for medium transducer



(1) Adaptor A



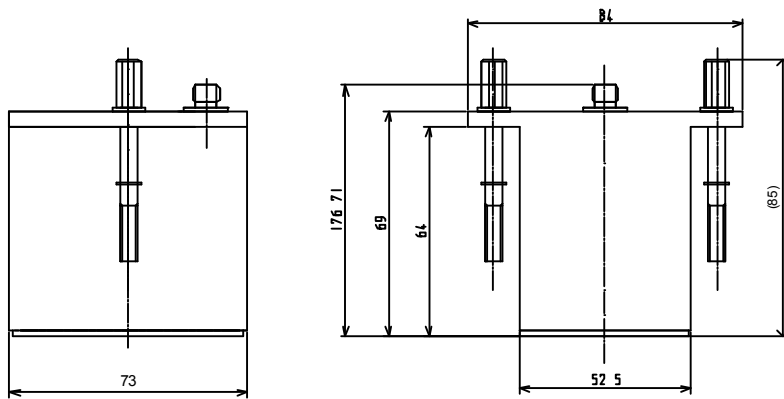
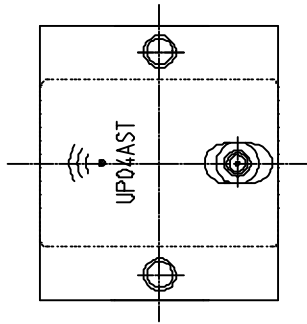
(2) Adaptor B



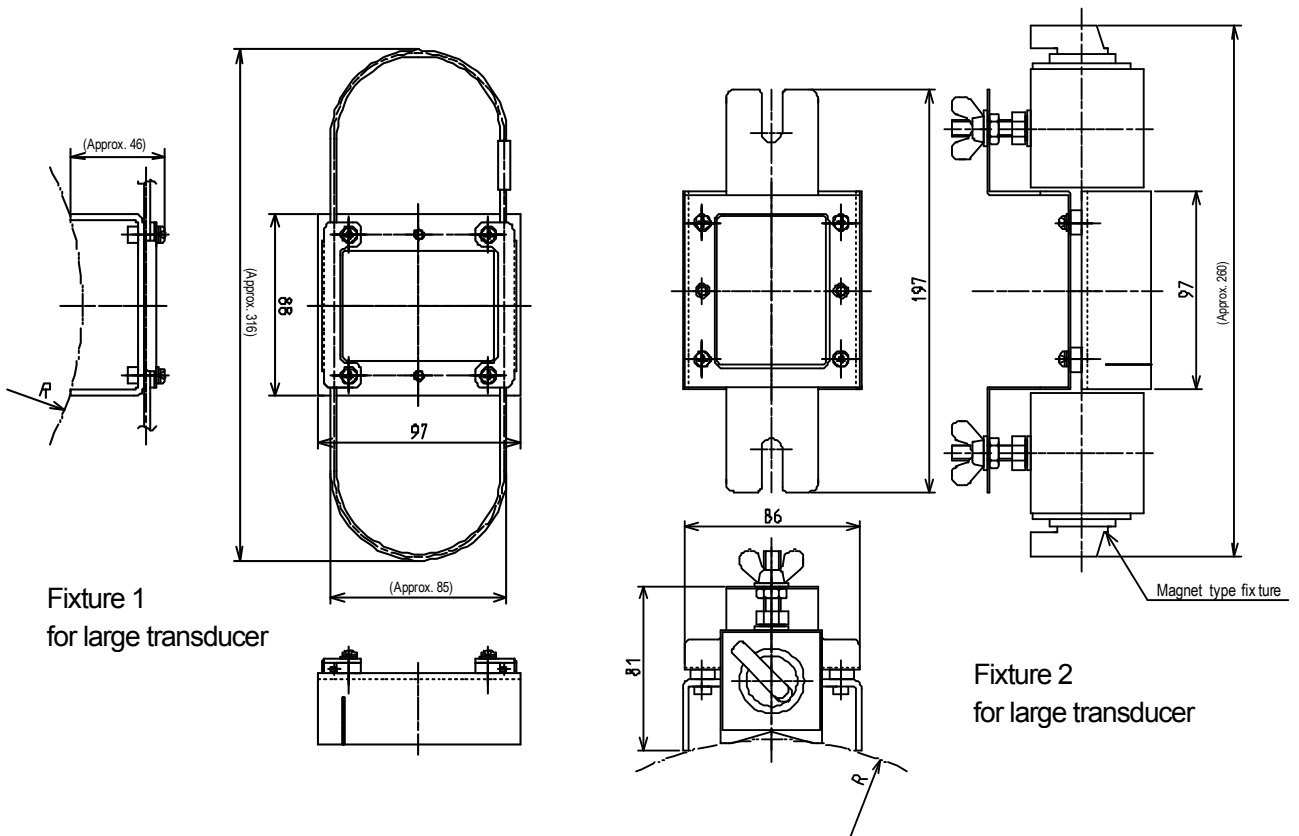
(3) Knob

Z-path method adaptor
for medium transducer

4-4. Large Transducer Kit



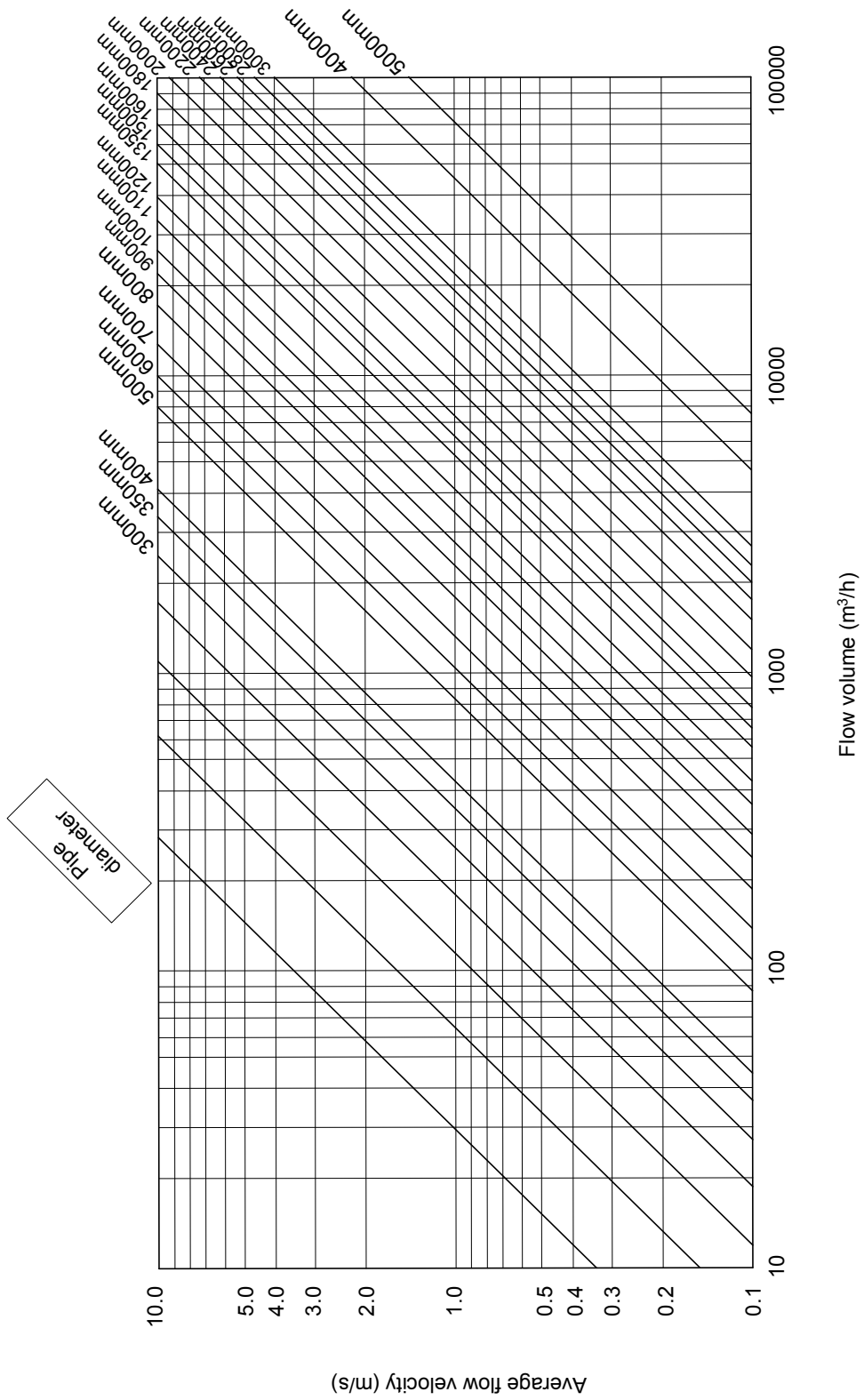
Large transducer



Fixture 1
for large transducer

Fixture 2
for large transducer

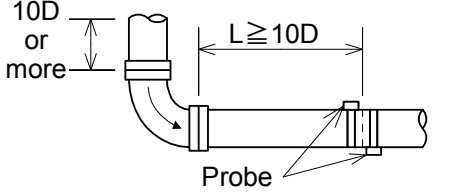
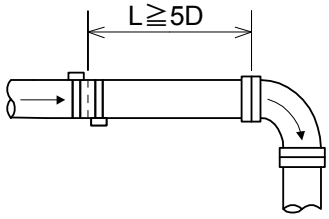
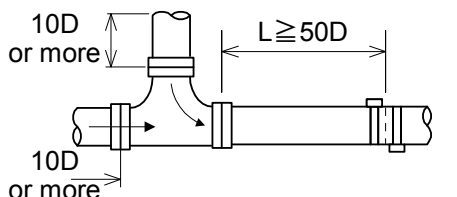
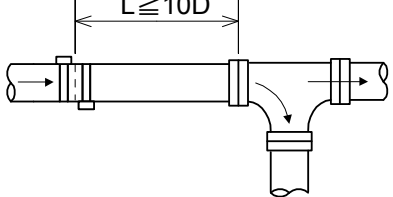
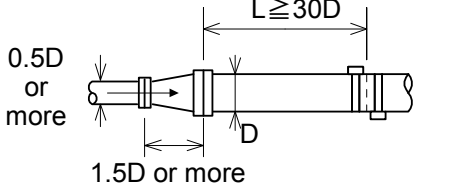
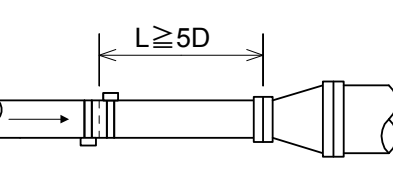
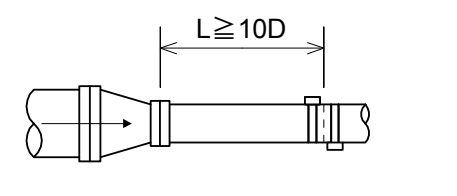
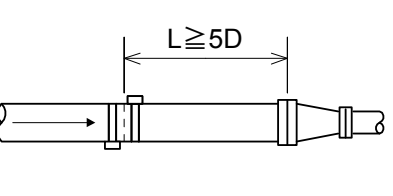
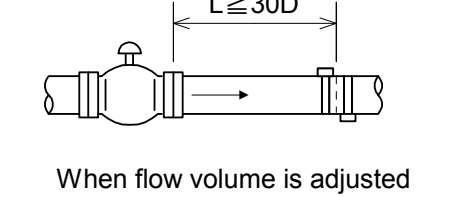
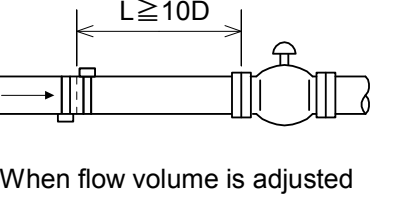
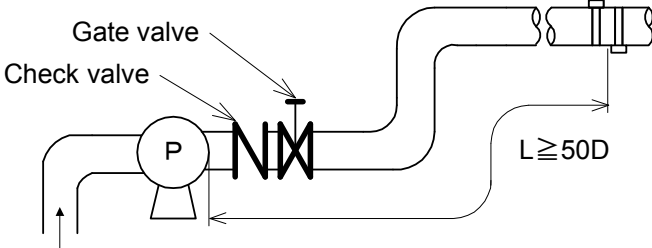
5. Flow and Average Flow Velocity



• Specifications and dimensions noted may be subject to change

6. Pipe conditions and required straight pipe length

[Refer to JEMIS 032-1987.]

Section	Upstream straight pipe length	Downstream straight pipe length
90° bend		
T		
Expanding pipe		
Contracting pipe		
Various valves	 <p data-bbox="448 1570 810 1637">When flow volume is adjusted at the upstream valve.</p>	 <p data-bbox="943 1570 1305 1637">When flow volume is adjusted at the downstream valve.</p>
Pump		

[D: pipe diameter]

TOKYO KEIKI INC.

2-16-46, Minami-kamata, Ohta-ku,
Tokyo 144-8551
Japan

Control Division I

Fluid Management Systems SBU

Phone: +81-(0)3-3737-8621

Fax : +81-(0)3-3737-8665

Apr.2009/PDS006C